

SUGAR BEACH

JARVIS SLIP PUBLIC SPACE - SCHEMATIC DESIGN
Waterfront Toronto
July 2008

CLAUDE CORMIER ARCHITECTES PAYSAGISTES INC.
The Planning Partnership Andrew Jones Design Éclairage Public Beth Kapusta







Bluffers
Point
Beach

The Beaches

Jarvis Slip

HtO Beach

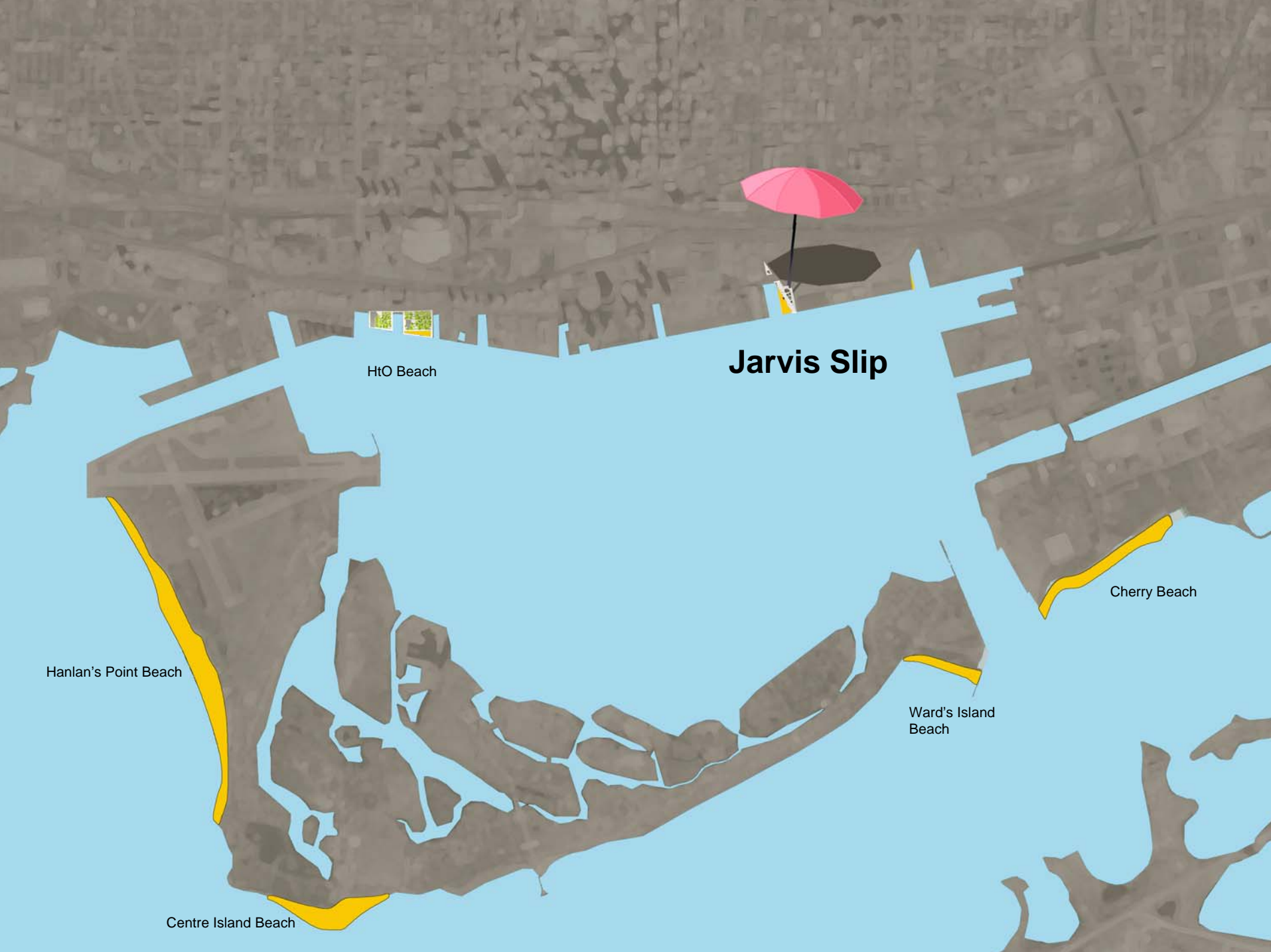
Cherry Beach

Ward's Island
Beach

Centre Island Beach

Hanlan's Point Beach

Sunnyside
Beach



Jarvis Slip

HtO Beach

Hanlan's Point Beach

Centre Island Beach

Ward's Island Beach

Cherry Beach





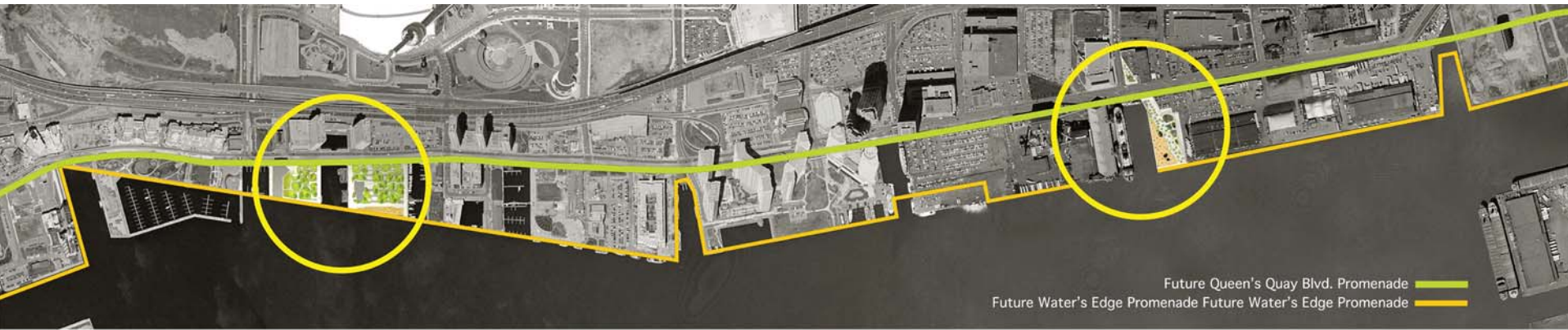
Urban Beach Precedents



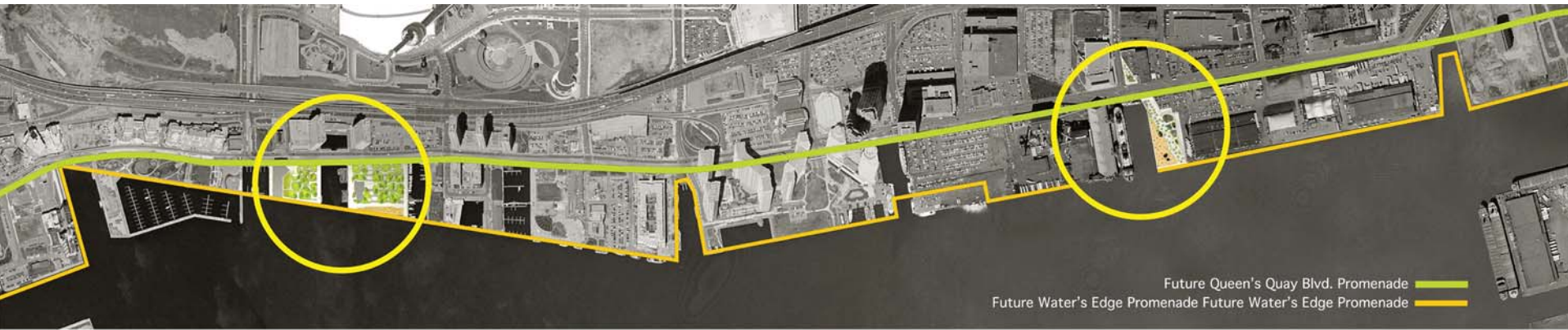


Urban Beach Precedents



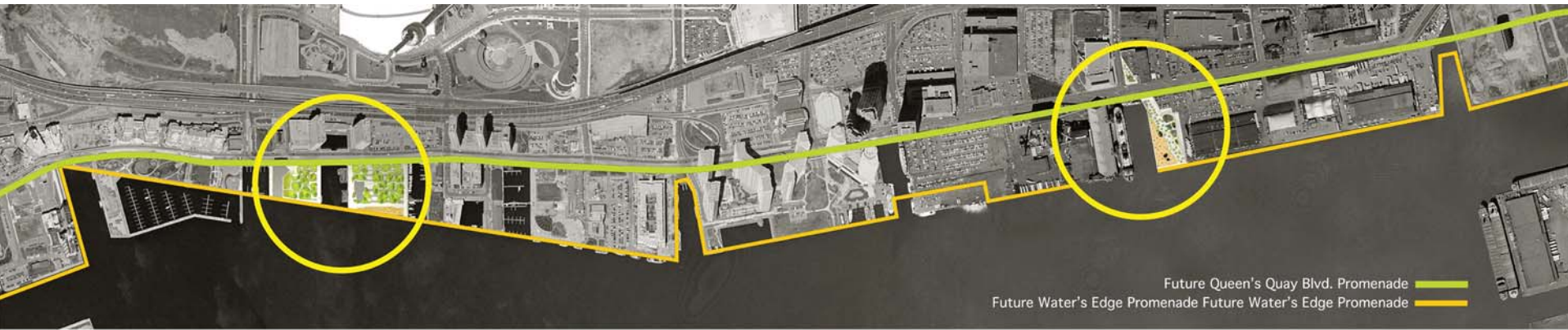


Future Queen's Quay Blvd. Promenade 
Future Water's Edge Promenade  Future Water's Edge Promenade



Georges Seurat, A Sunday Afternoon at La Grande Jatte (1884-1886)

Conceptual Reference



Georges Seurat, A Sunday Afternoon at La Grande Jatte (1884-1886)



Georges Seurat, Bathing at Asnières (1884)



Sunnyside Boardwalk Toronto, (1920)



East Bayfront Precinct
 Masterplan, Connections, Thresholds



- A. Urban Beach
- B. Continuous Promenade
- C. South Plaza
- D. North Plaza

Site Plan



Redpath Sugar Factory





Redpath Sugar
Factory

JARVIS SLIP

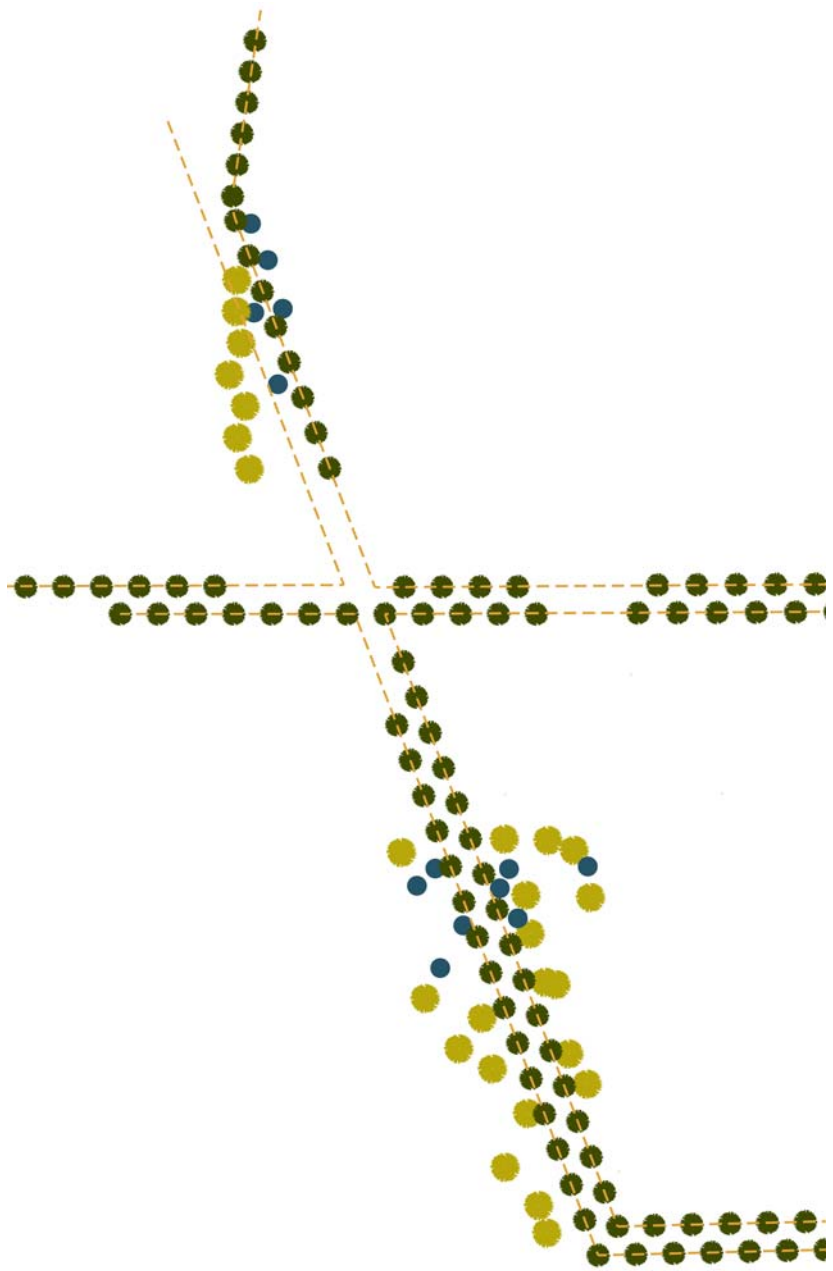
Block 1

Block 2

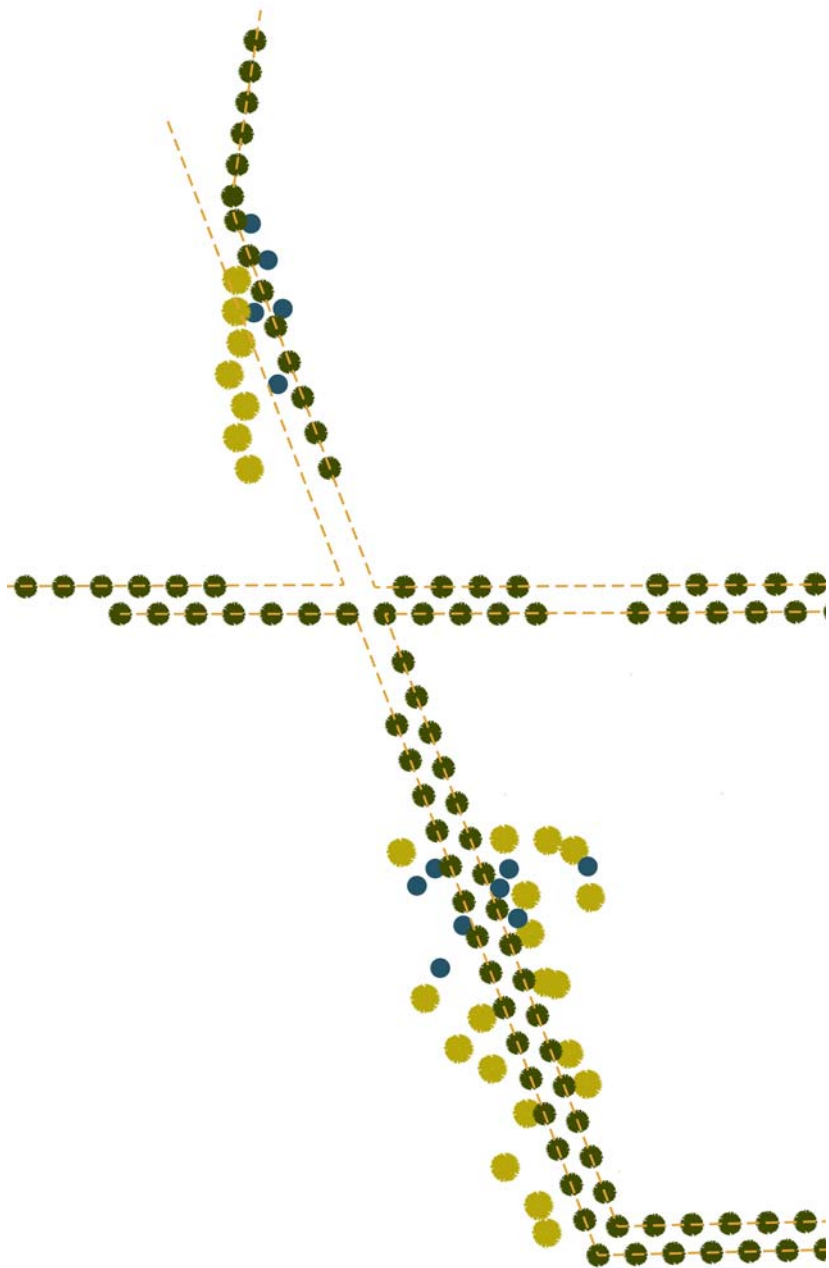
Tedco
Corus

Promenade (19m-Wide)





Tree distribution



Jeffersred Maple
Acer x freemanii 'Jeffersred'



Weeping Willow
Salix x sepulcralis

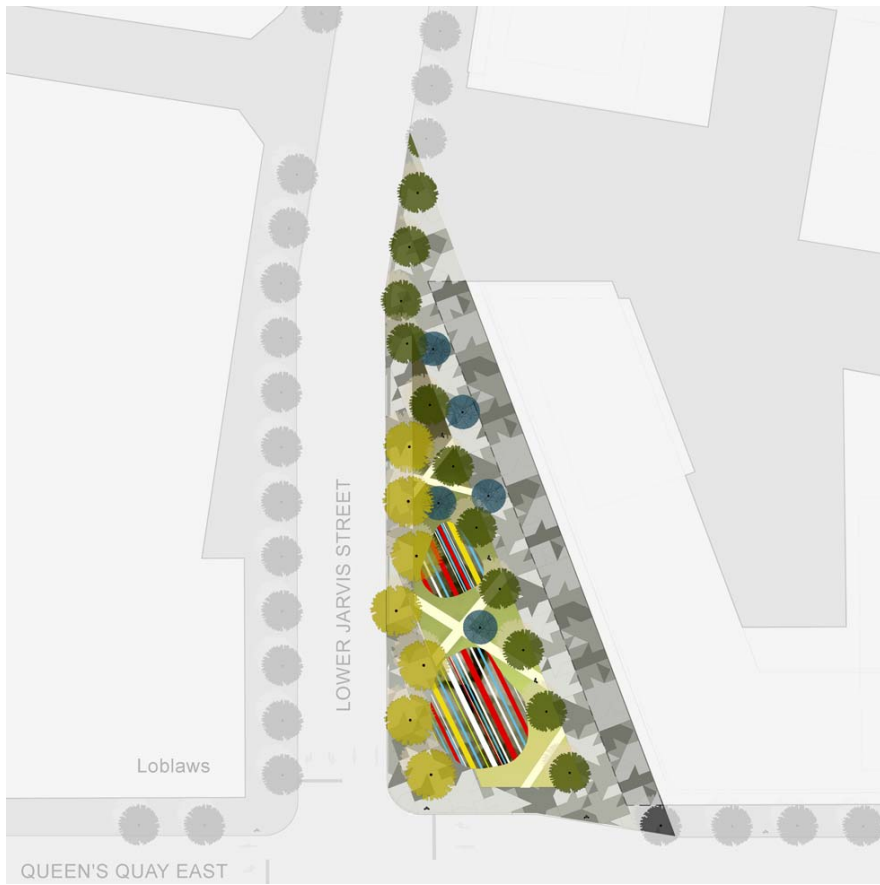


Blue Spruce
Picea pungens



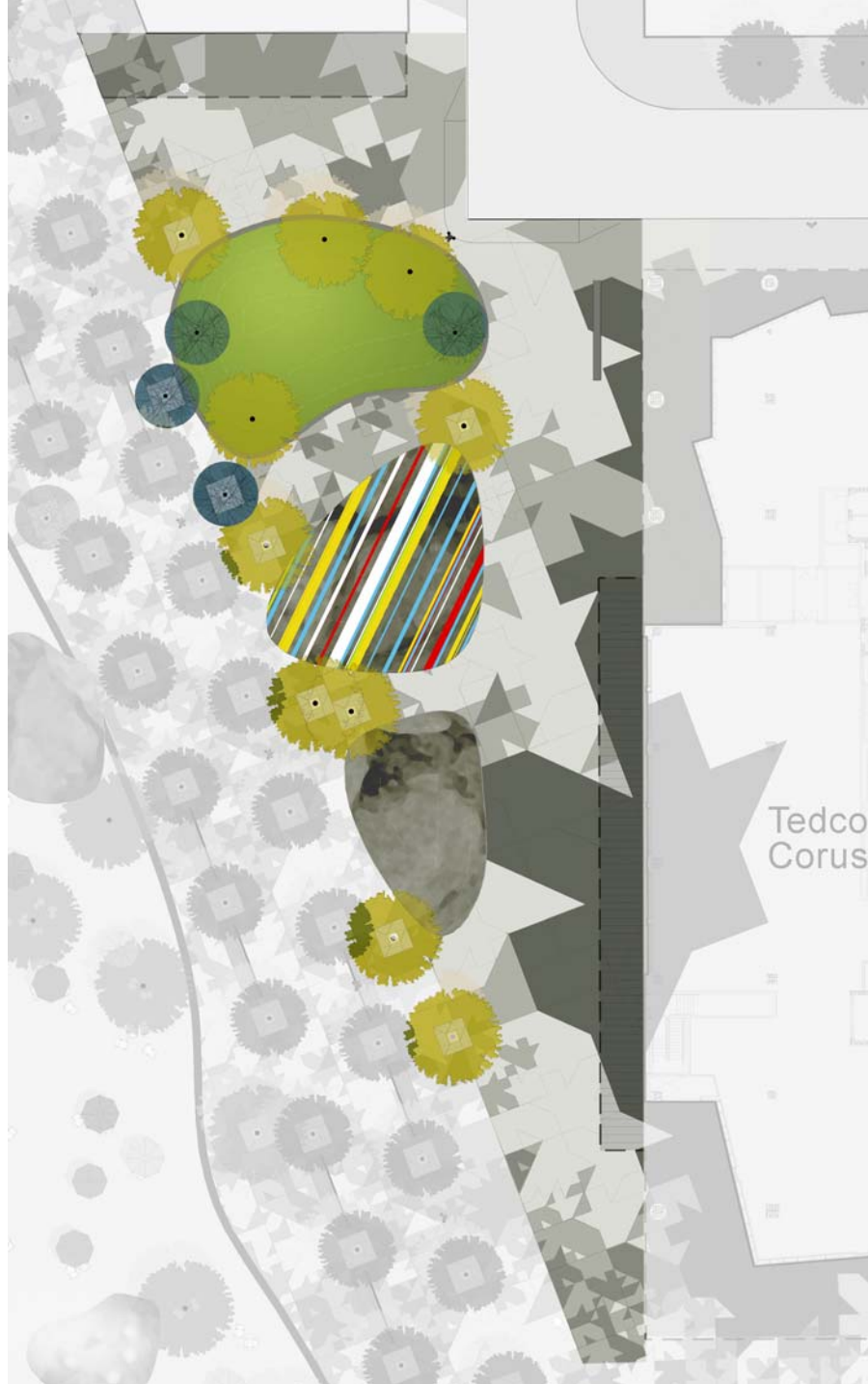


South + North Plazas



North Plaza Option 2

Square des Frères Charron, Montreal



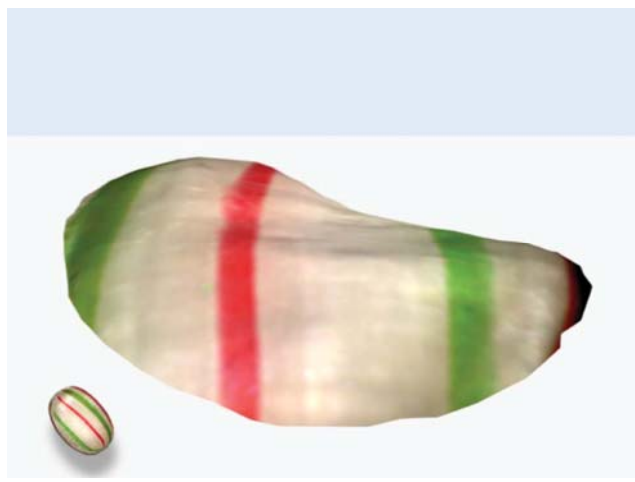
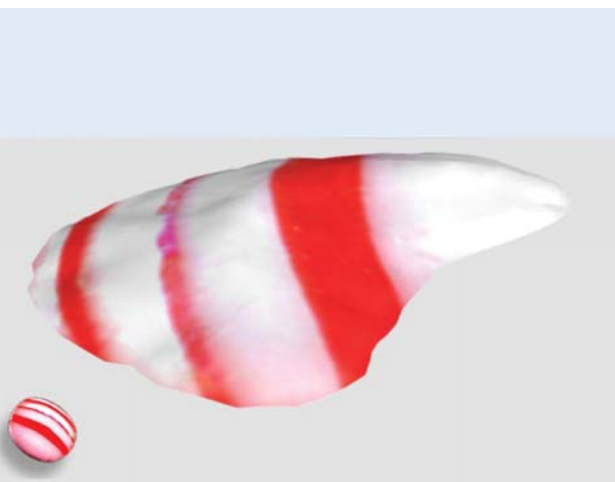
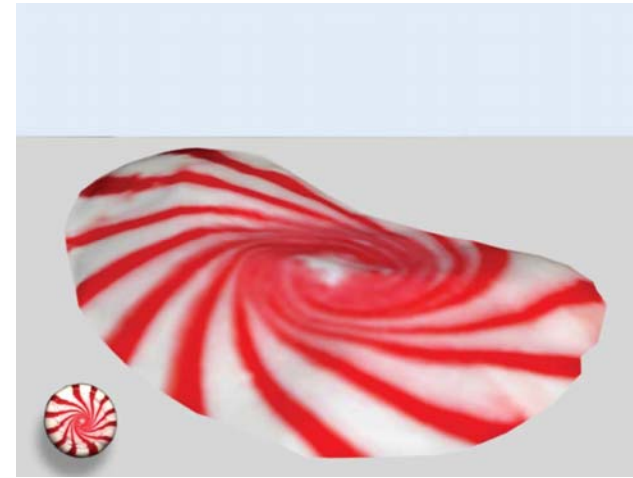
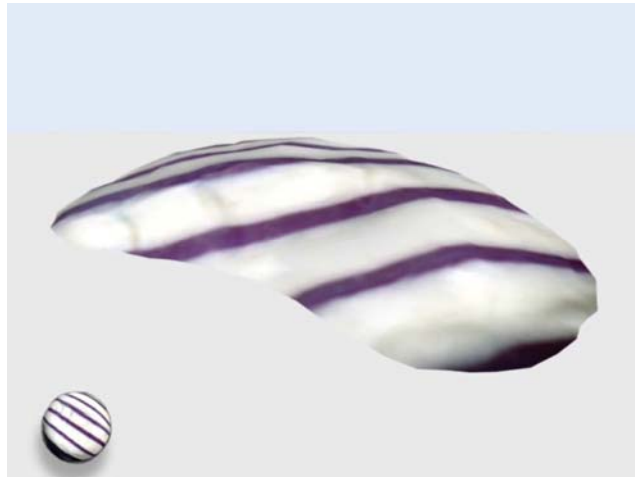
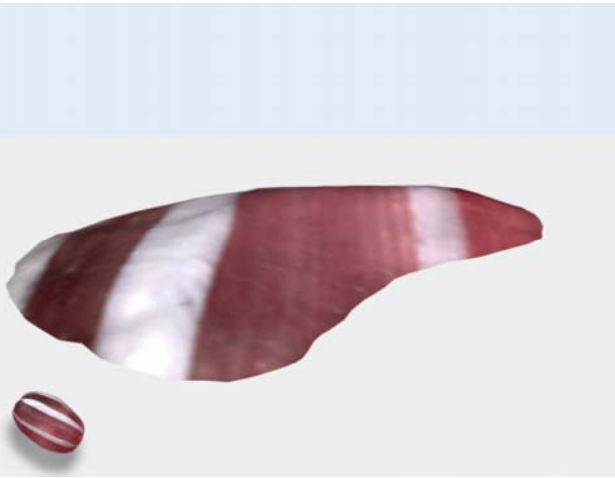
Tedco
Corus

South Plaza



Cumberland Park, Toronto

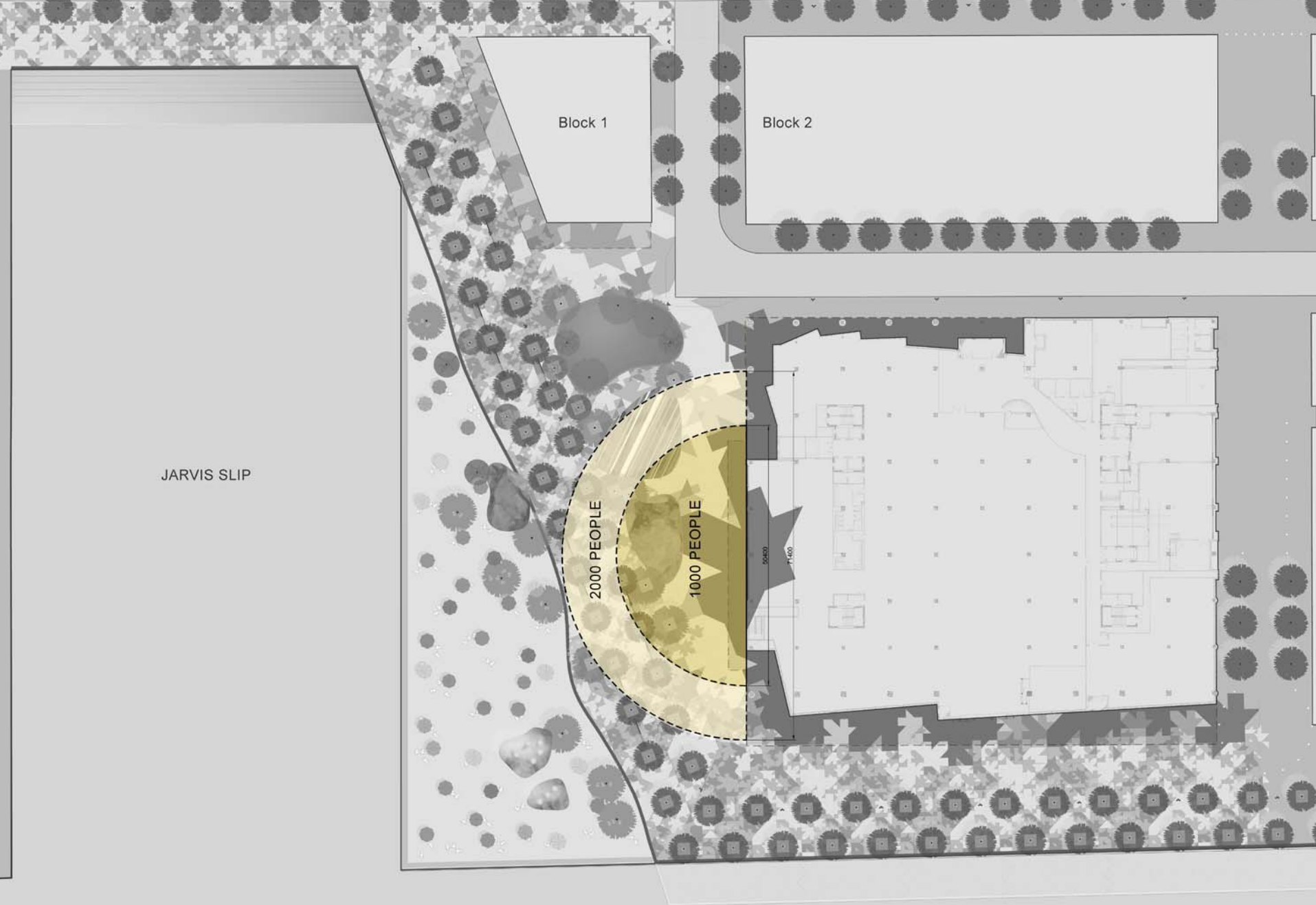




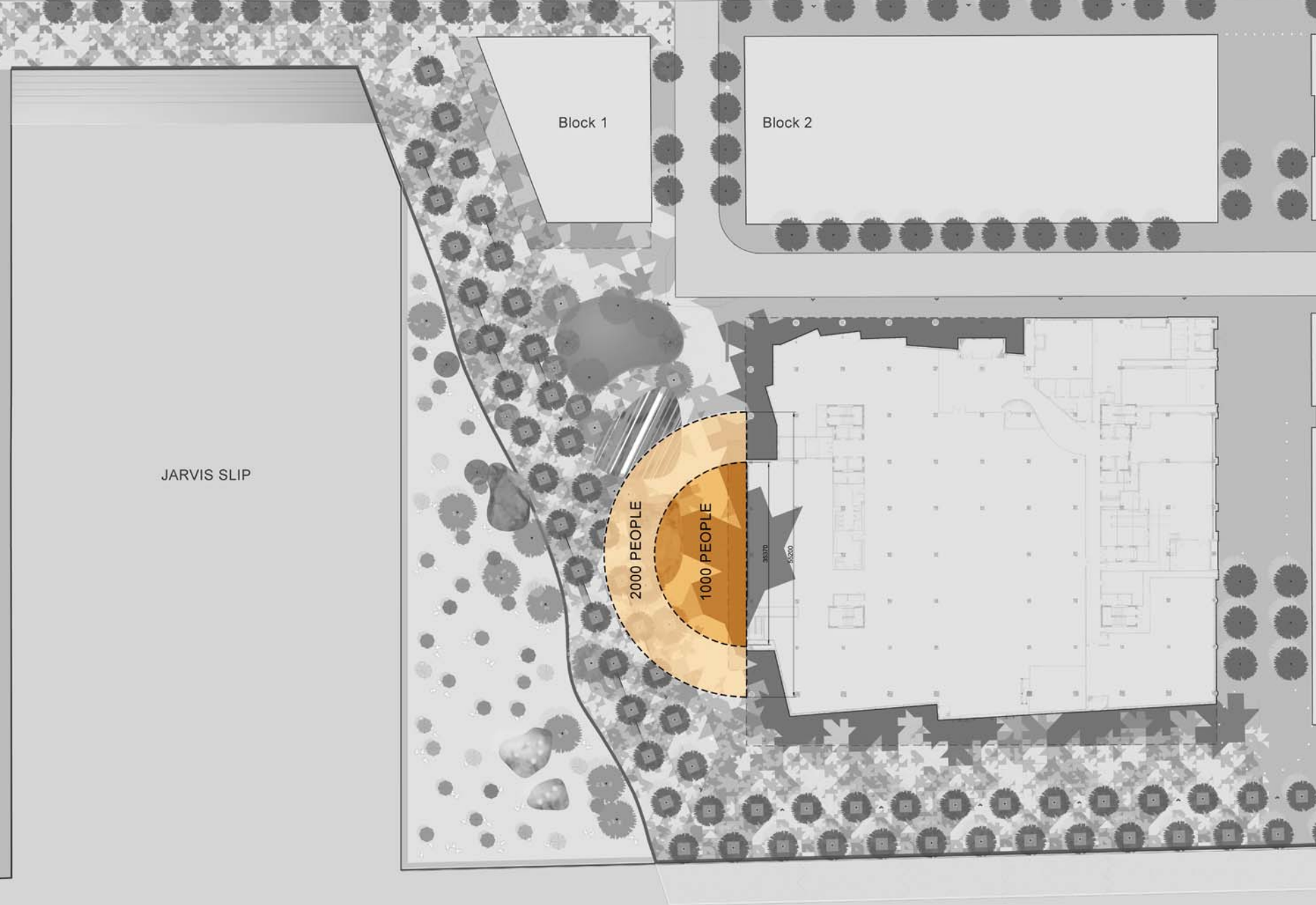
Conceptual for Hard Candy Rock



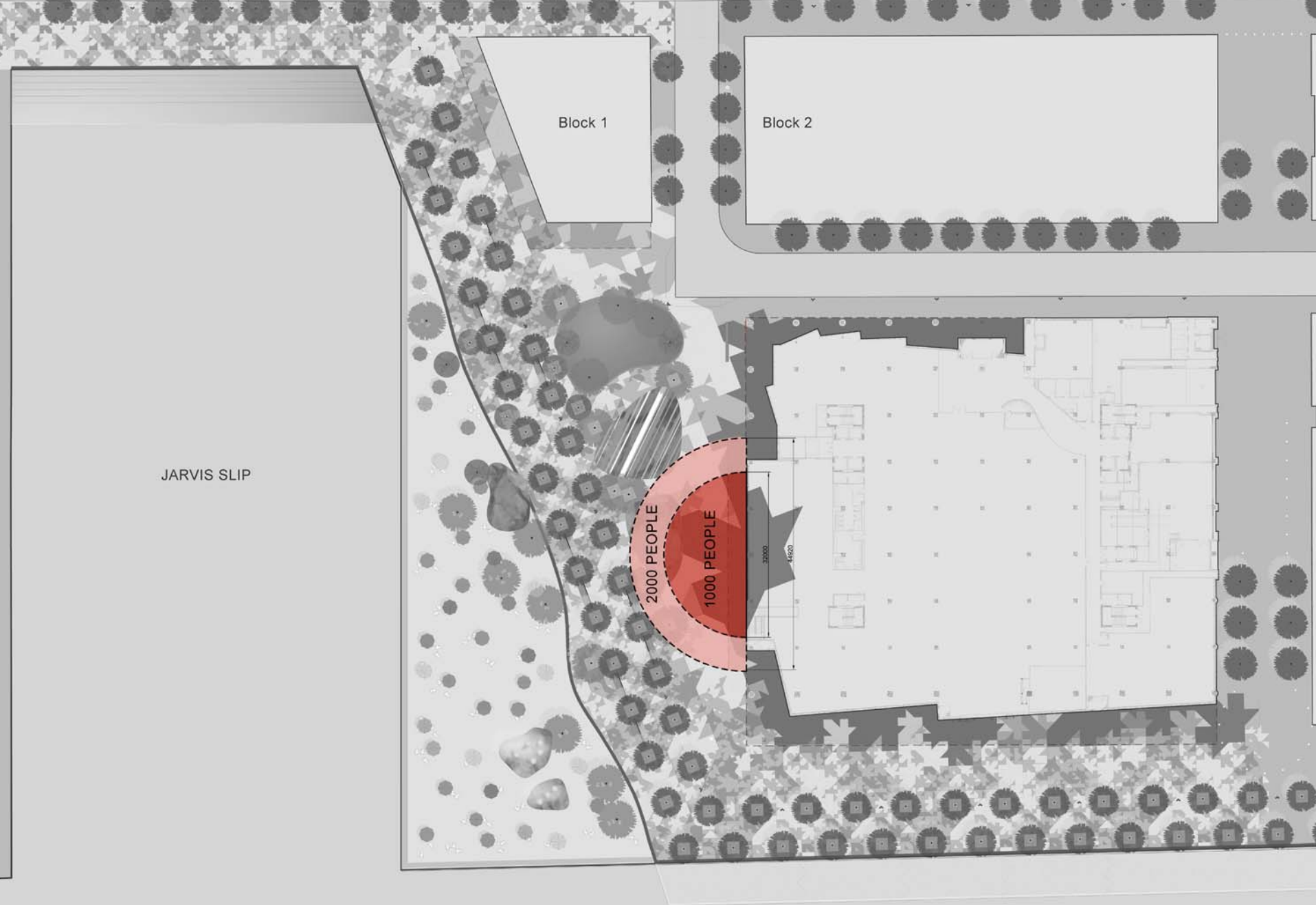
Hard Candy Rock



Corus Crowd Study
Classical Music – 1m²/person

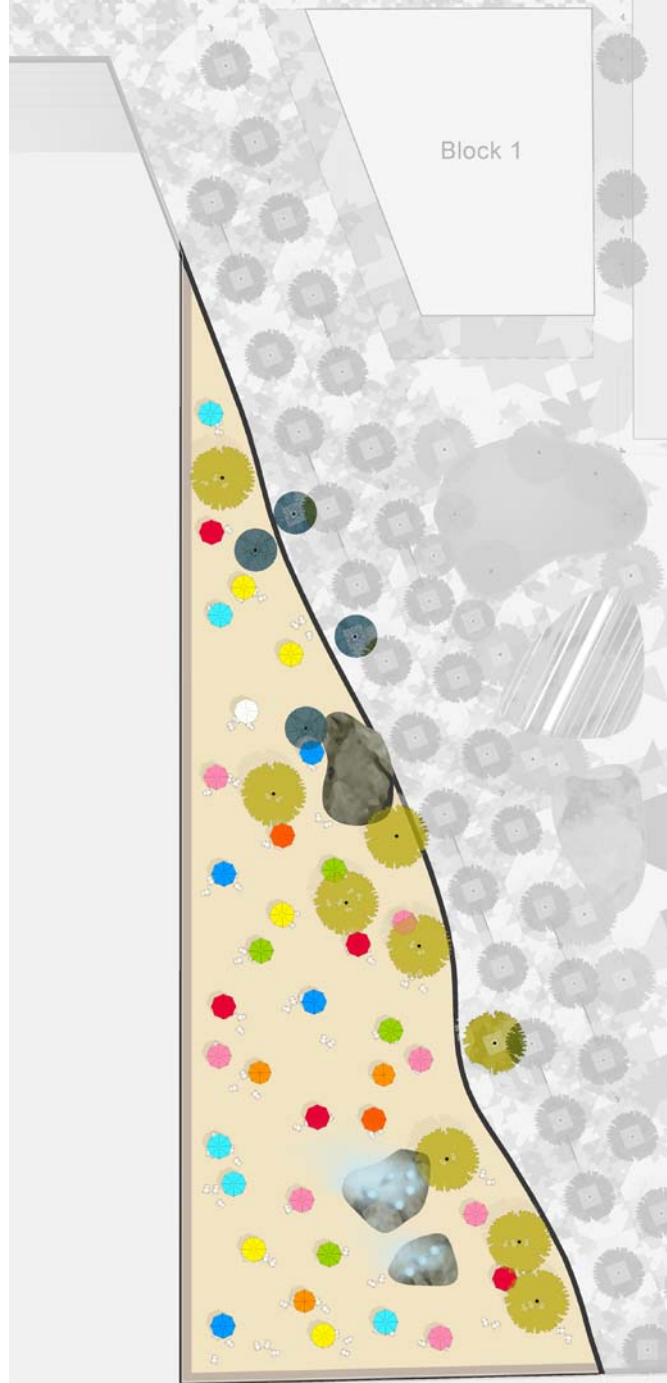


Corus Crowd Study
Rock Music – 0.5 – 0.6m²/person



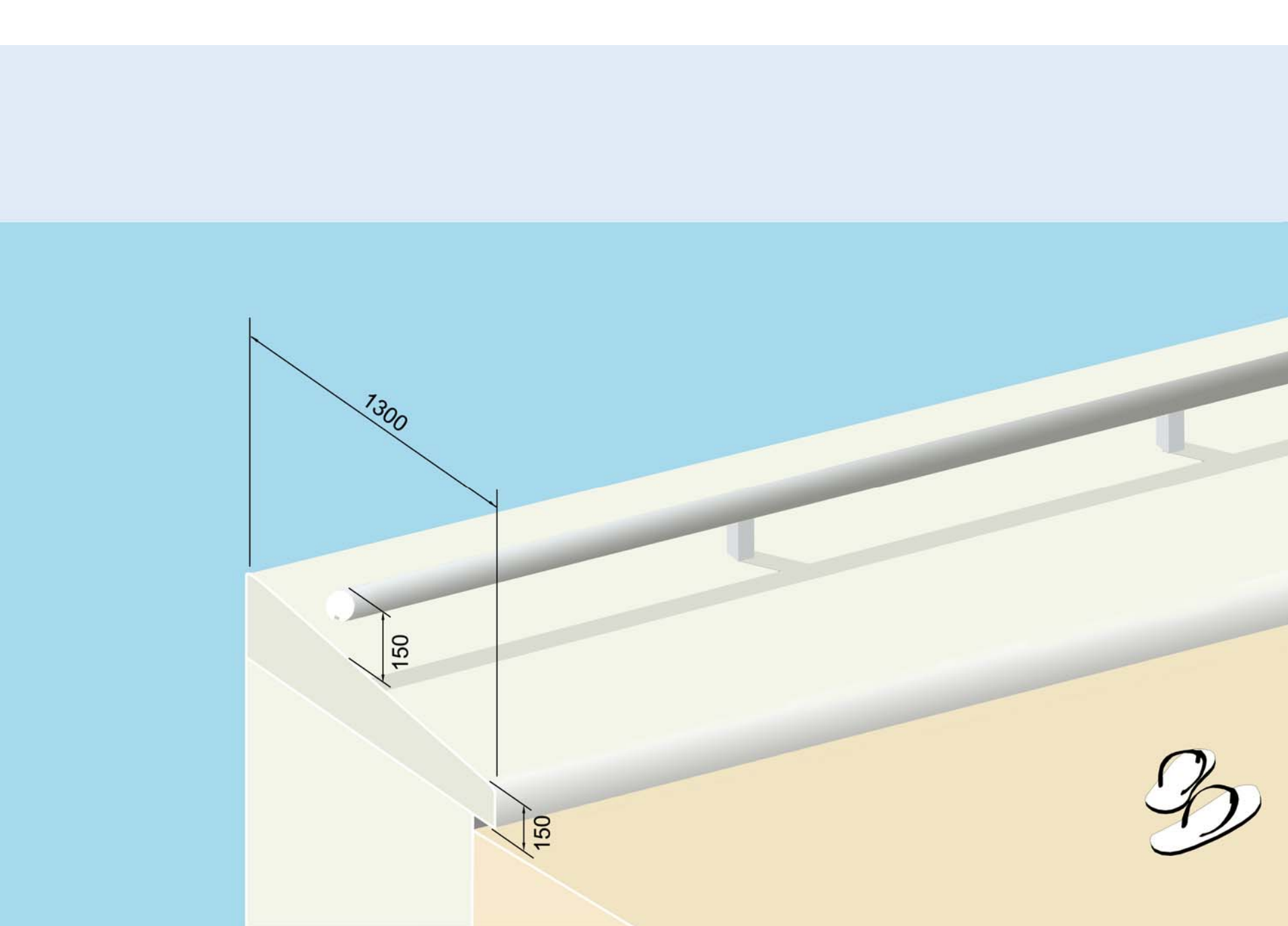
Corus Crowd Study
Heavy Metal – 0.4m²/person

Block 1





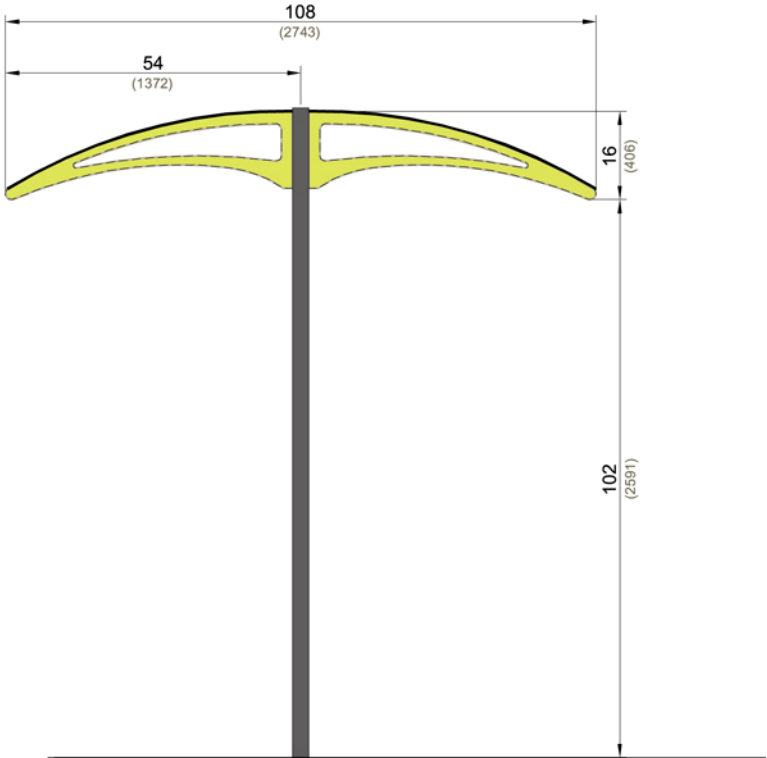
Urban Beach Bedrock



Urban Beach Dockwall Capstone + Toerail



Urban Beach Umbrella

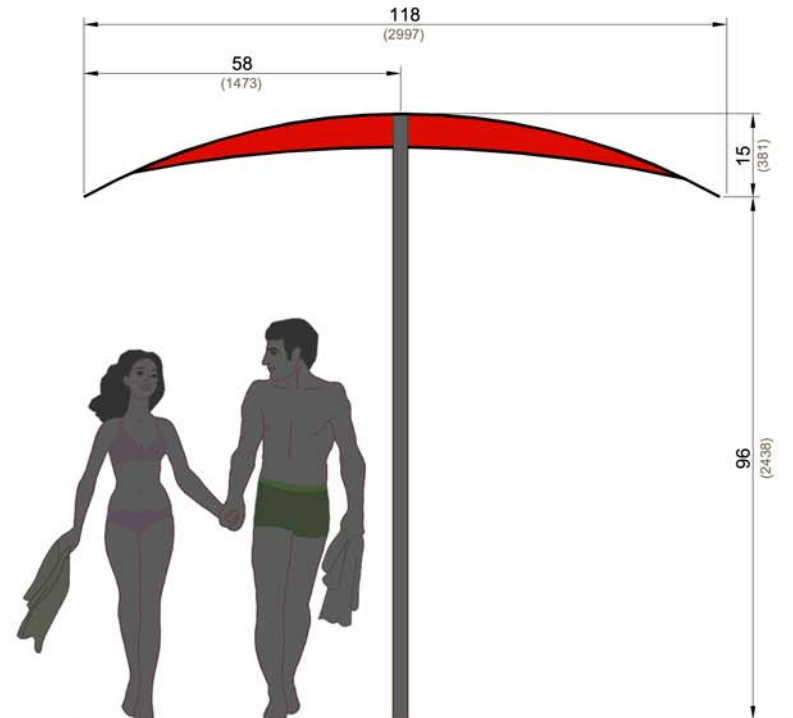
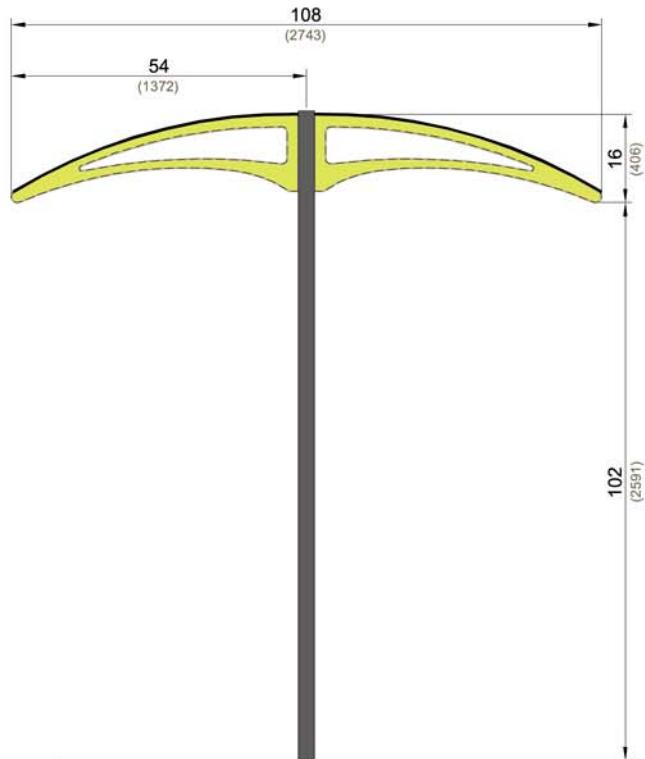


Urban Beach Umbrella

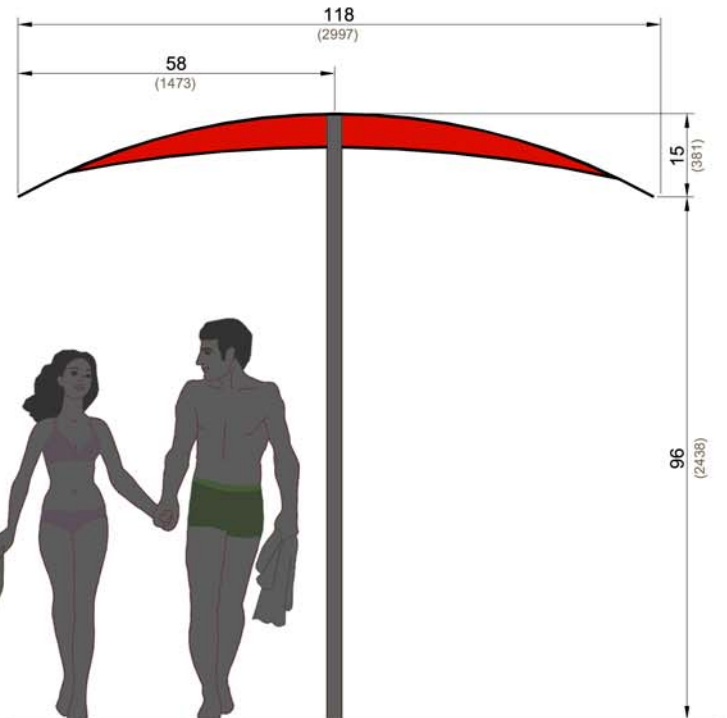
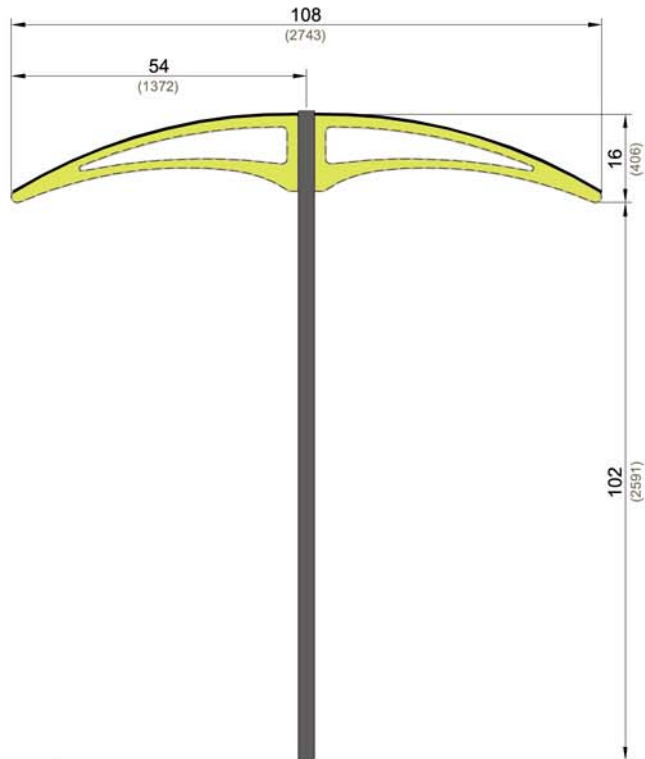
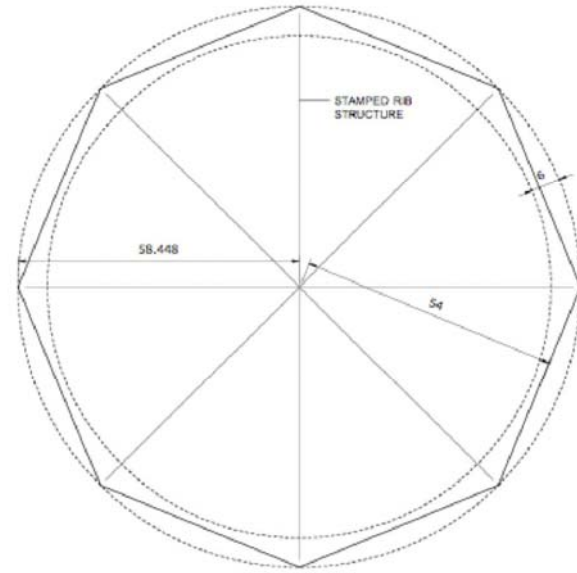
HtO_Nelson Industrial



Sugar Beach_Andrew Jones



Urban Beach Umbrella



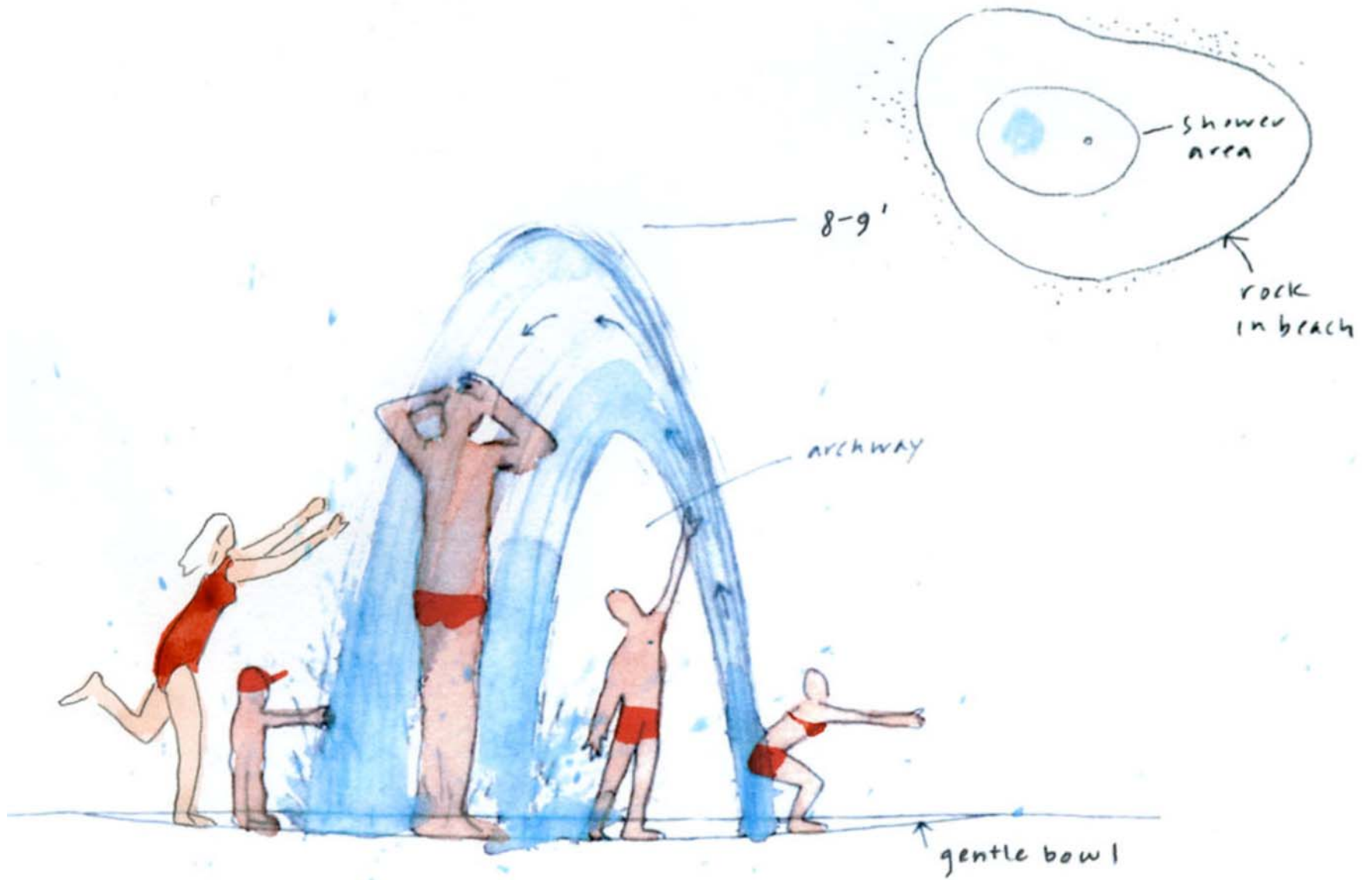


Urban Beach Chair



Stadpark, Hamburg, Germany, Adirondack chairs, (HDPE)

Urban Beach Chair



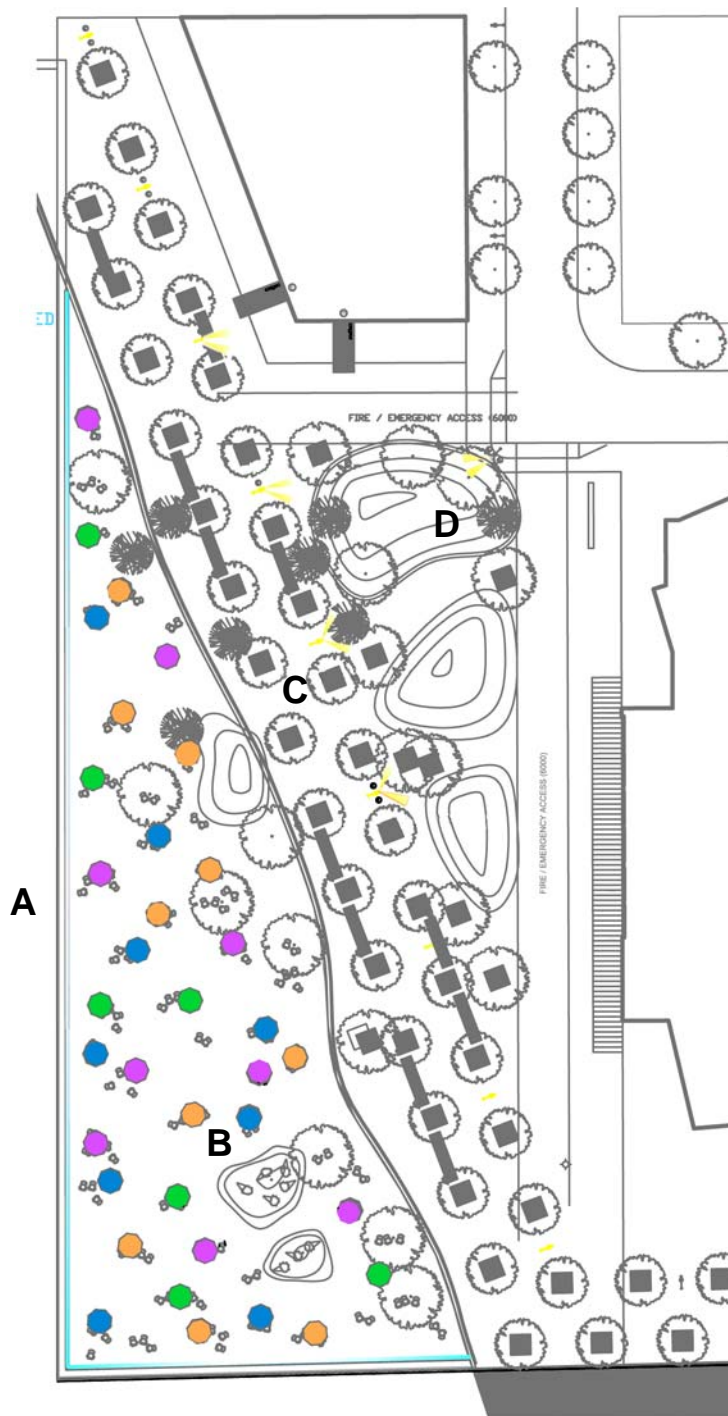


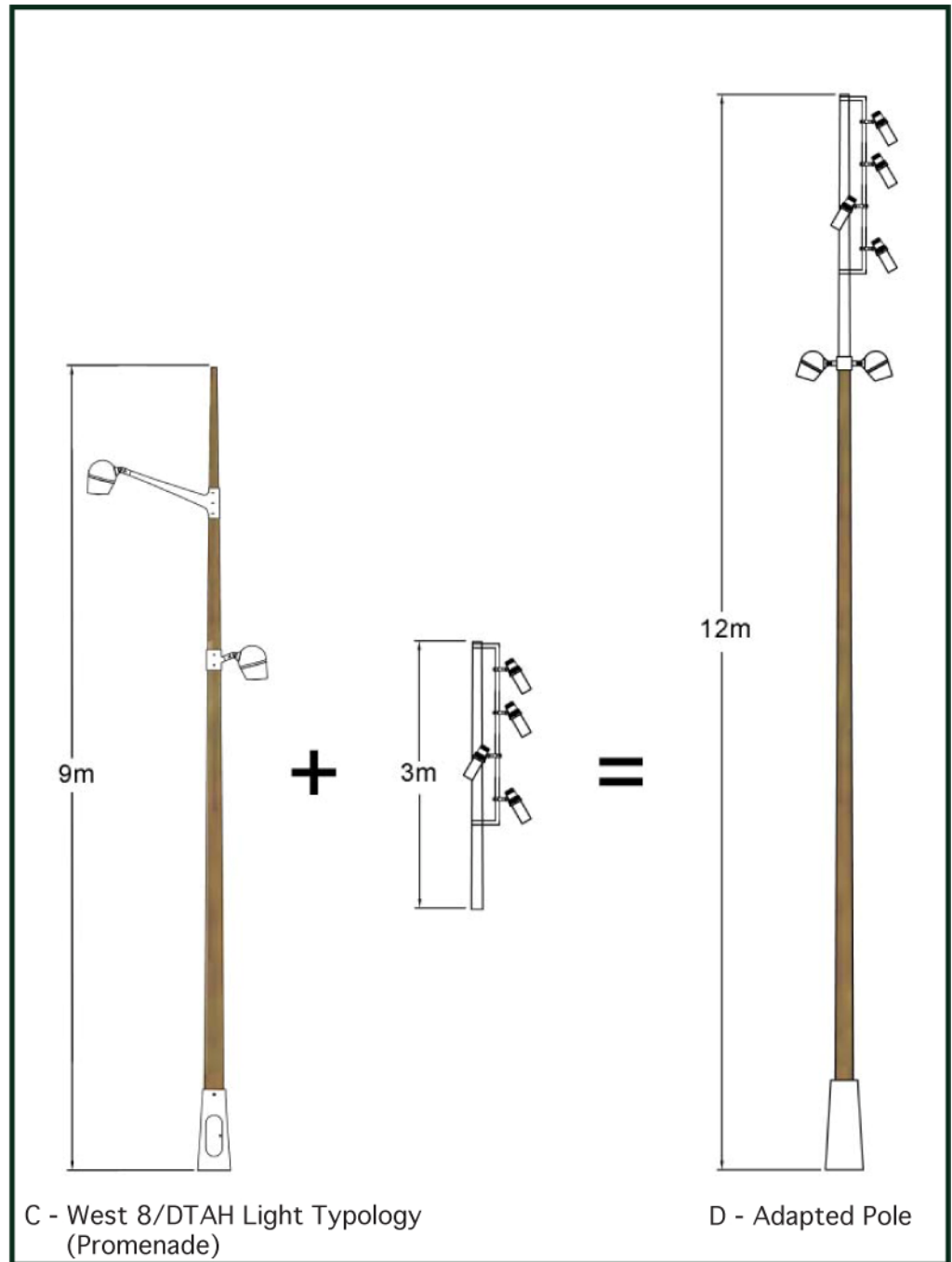
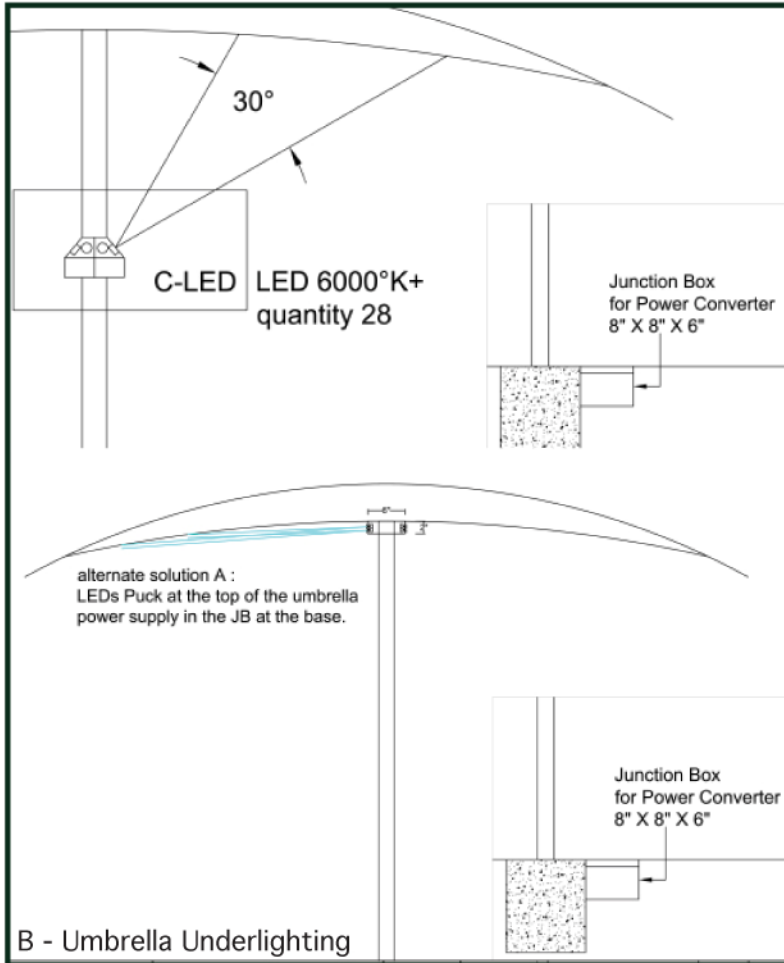
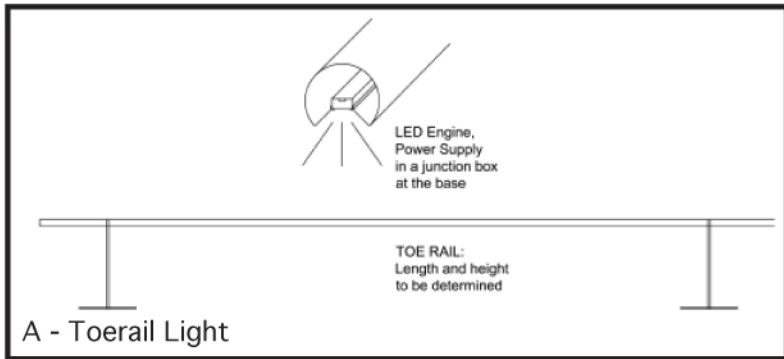
Urban Beach Shower

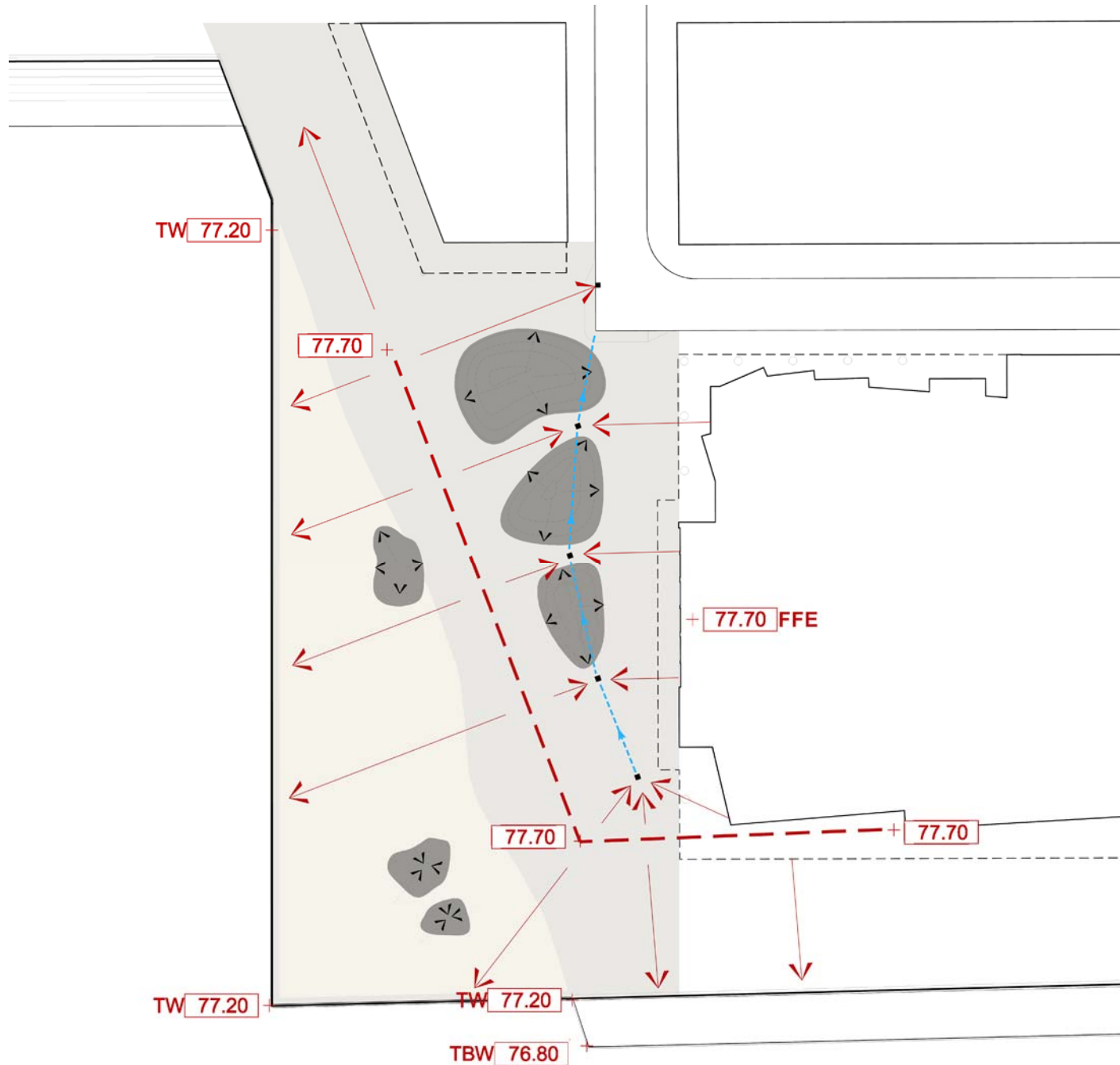


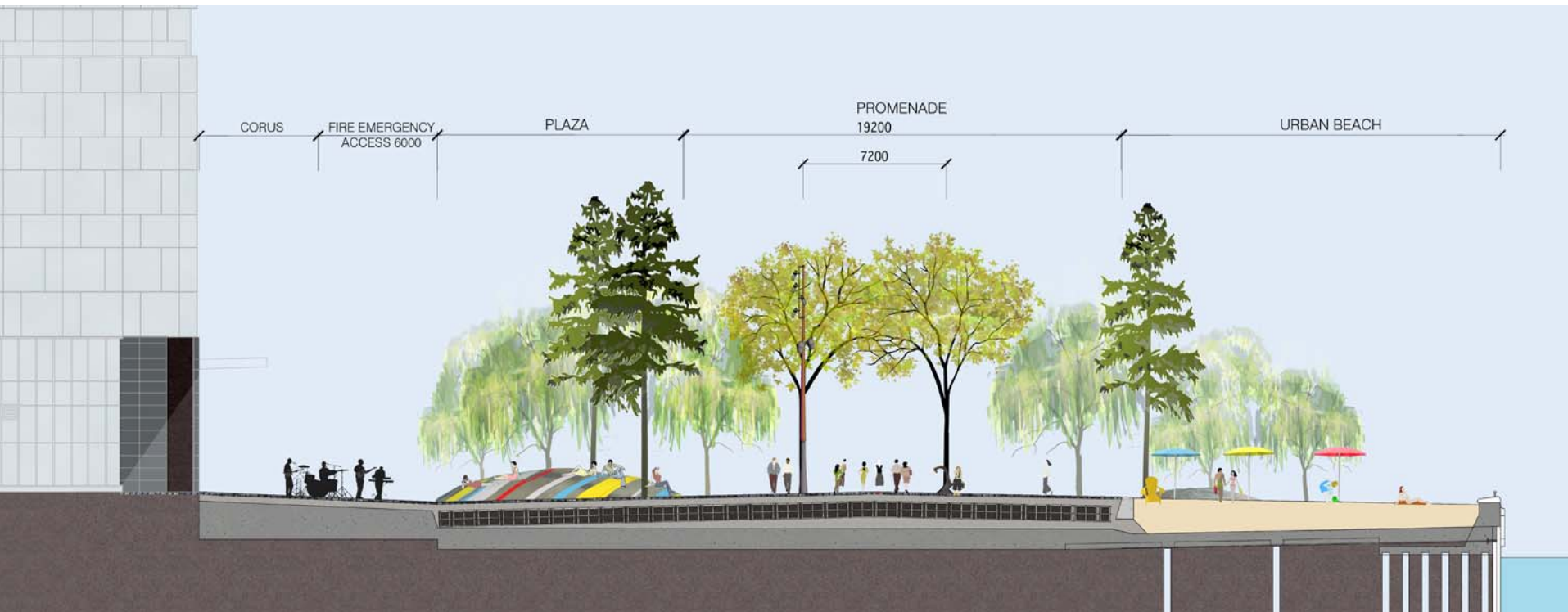
- A. Toerail Light
- B. Umbrella Underlighting
- C. West 8/DTAH
- D. West 8/DTAH Adapted Pole

- A. Toerail Light
- B. Umbrella Underlighting
- C. West 8/DTAH
- D. West 8/DTAH Adapted Pole









CORUS

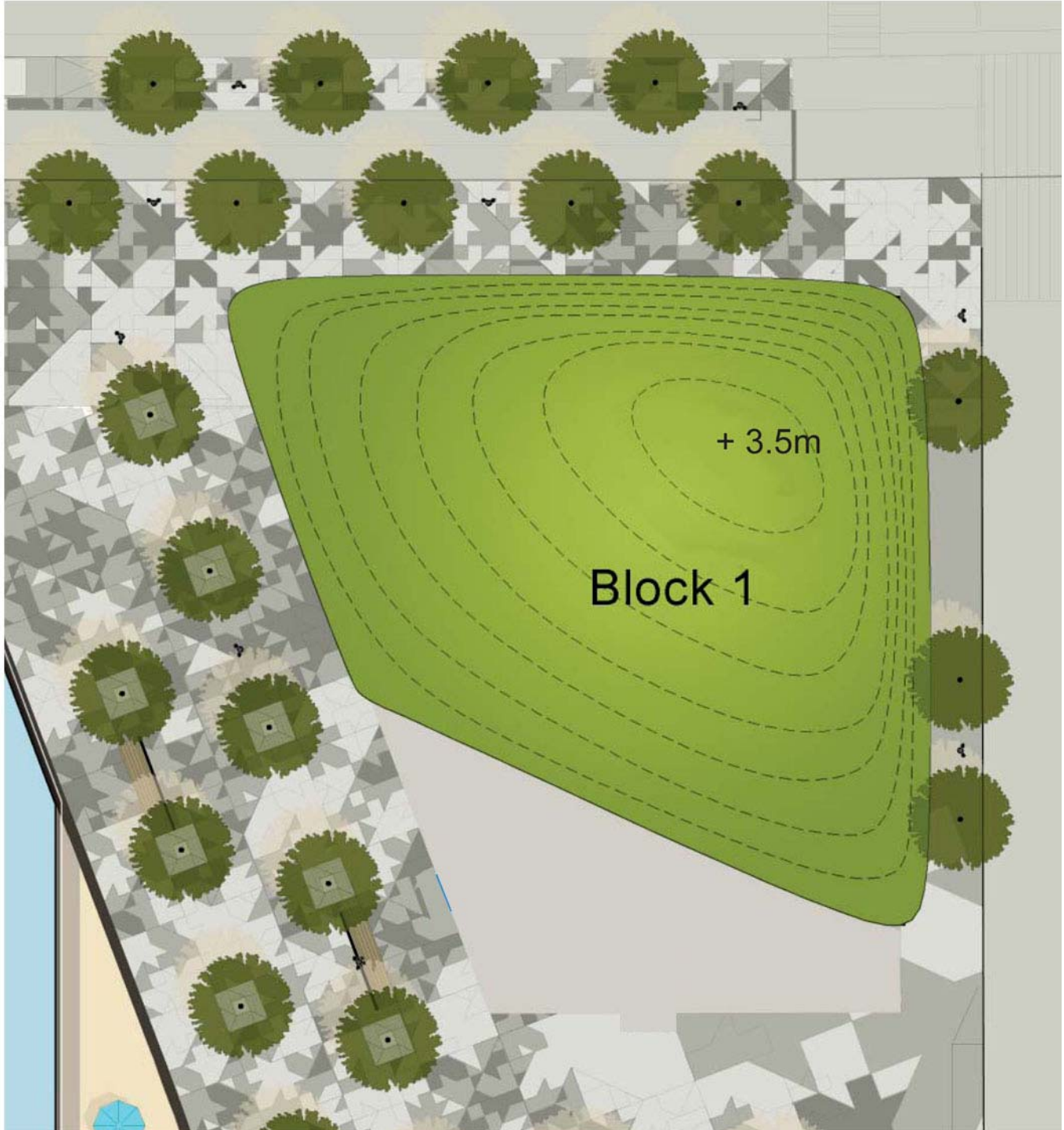
FIRE EMERGENCY
ACCESS 6000

PLAZA

PROMENADE
19200

7200

URBAN BEACH



+ 3.5m

Block 1

Temporary Landscape





East Bayfront Precinct Plan



Georges Seurat, A Sunday Afternoon at La Grande Jatte (1884-1886)



The Seine at la Grande Jatte (circa 1887)